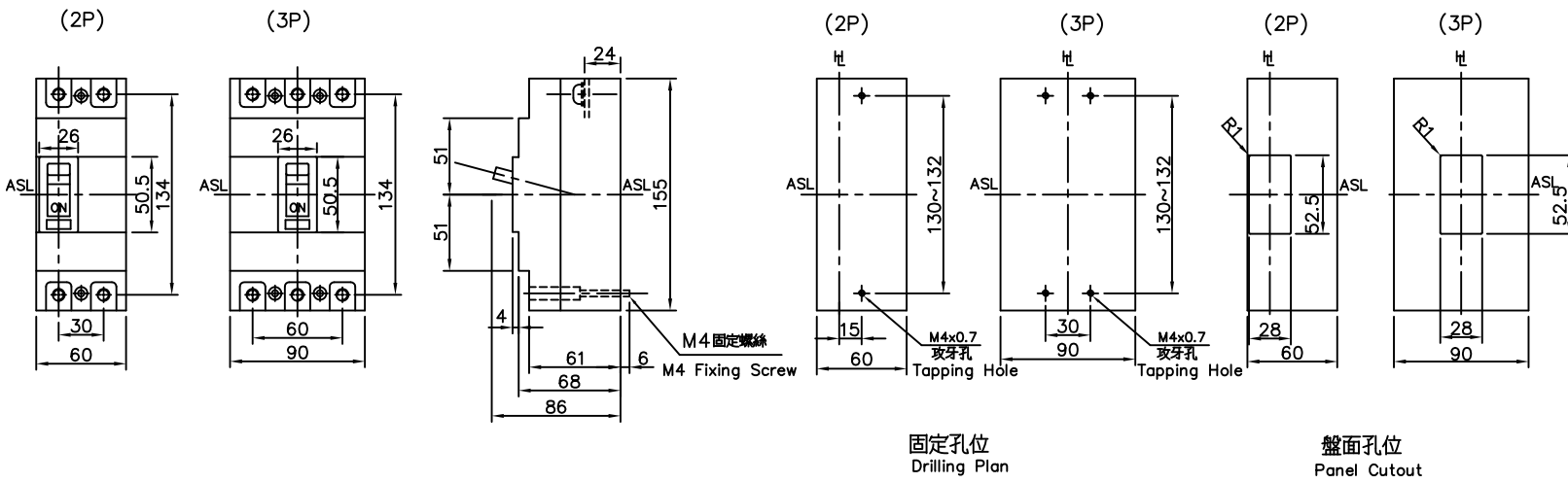


TO-125EC(2P/3P),125SB(2P/3P)



※斷路器尺寸公差為±0.5mm; 盤面孔位公差為1.5mm.