

\*\*\*CNA-111SR 使用說明書\*\*\*

\*\*\*CNA-111SR User's Instruction\*\*\*

注意(Caution) ⚠

感謝您選擇東元產品, 請詳細研讀此說明書, 並正確使用它。

Thank you for selecting TECO product. Please read this instruction before installation.

— 若需要檢修時, 應先切斷電源再進行檢修。

Turn off power before carrying out any maintenance.

— 使用本產品時, 必需小心輕放, 避免碰撞及掉落。

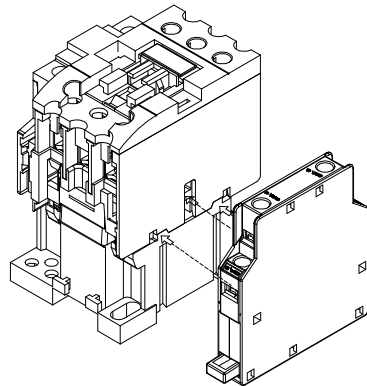
Please handle carefully and avoid abnormal vibration and shock.

— 若需使用側裝式補助接點組或機械連鎖組時, 必須確保接觸器側邊防塵貼紙已撕乾淨。

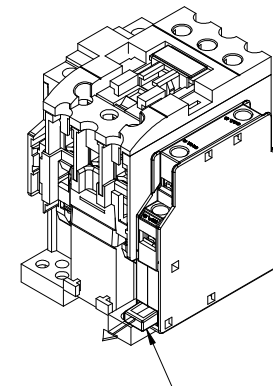
The dust-proof label on the side of frame must be tear off off clearly, if side-mounted auxiliary contact block or mechanical interlock is used.

\* CU-9~40R+CNA-111SR 組裝方法  
CU-9~40R+CNA-111SR Assembly Method  
(左, 右側裝配方法皆相同)  
(Same method for left and right side)

① 依右圖之箭頭方向將CNA-111SR插入組合  
Follow the direction of arrow to install CNA-111SR.



② 將CNA-111SR門與CU-9~40R扣緊  
The latch of CNA-111SR fasten with CU-9~40R.



\* 門往箭頭方向搬動即可  
搬動即可拆下CNA-111SR  
Take off CNA-111SR by remove the latch according to the arrowhead.

\* 依下表鎖線時, 鎖線扭力值如下:

Tightening torques for contactors are given below:

機種 Type	項目 Item	螺絲尺寸 Screw/blot	鎖緊扭力(kgf.cm) Tightening torque
CNA-111SR	補助接點 Auxi contact	M3.5	7.5 ~ 11.5

\* 使用本產品若有不清楚時, 請參閱產品型錄或洽詢公司營業人員。

For more information, please see the catalogue or contact sales people.

T 886-3-598-1711 F 886-3-598-2488

WWW.teco.com.tw

**TECO ELECTRIC & MACHINERY CO., LTD.**

FM3 40A198A100