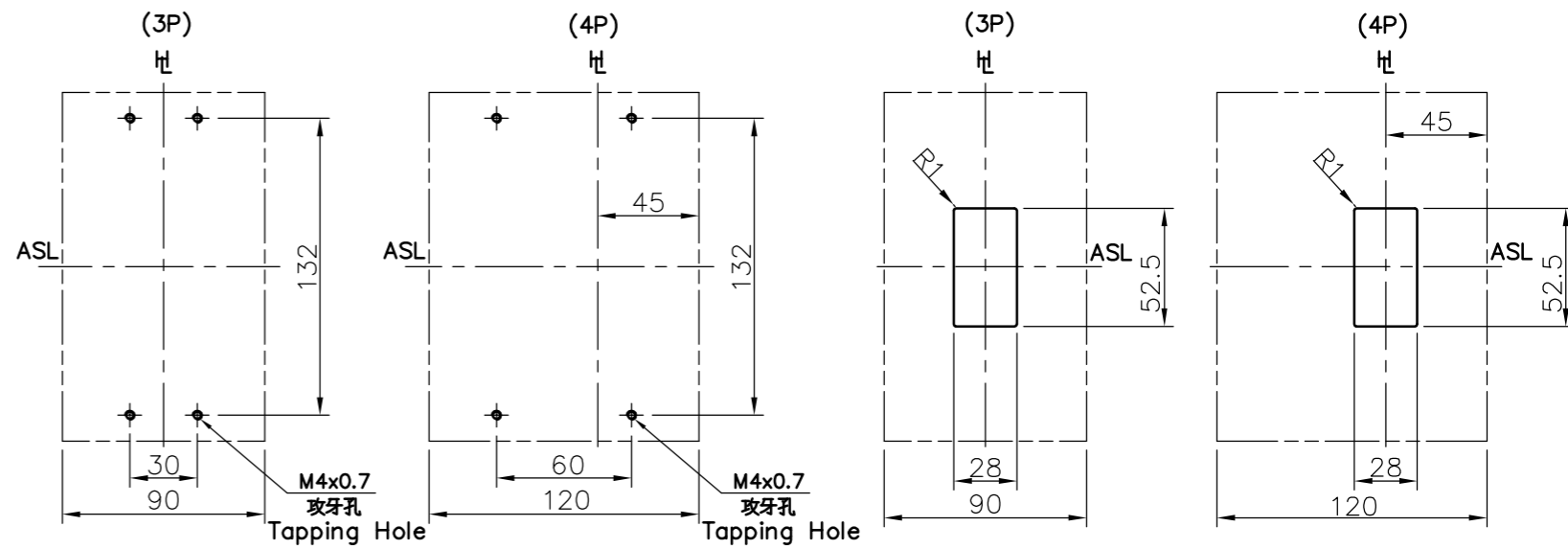
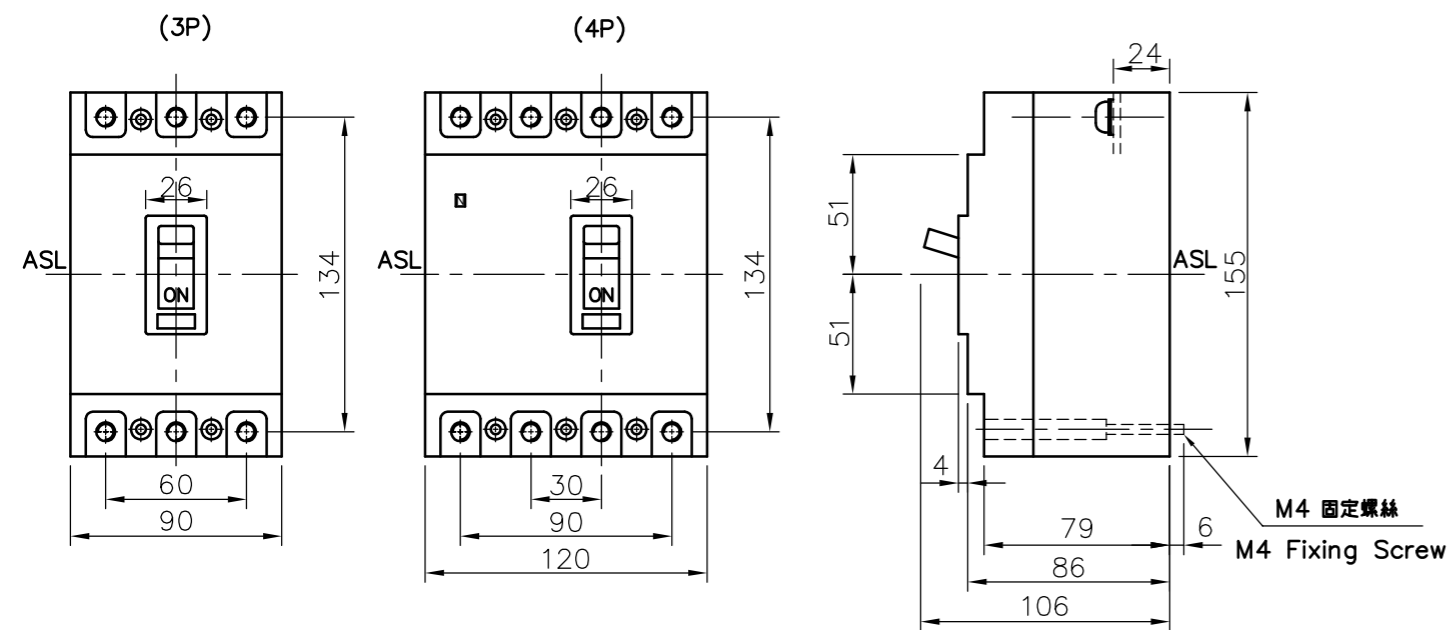


TG-125HB(3P/4P)  
 TG-125HJ(3P/4P)



固定孔位  
Drilling Plan

盤面孔面  
Panel Cutout

\* 斷路器尺寸公差為±0.5mm; 盤面孔位公差為1.5mm.