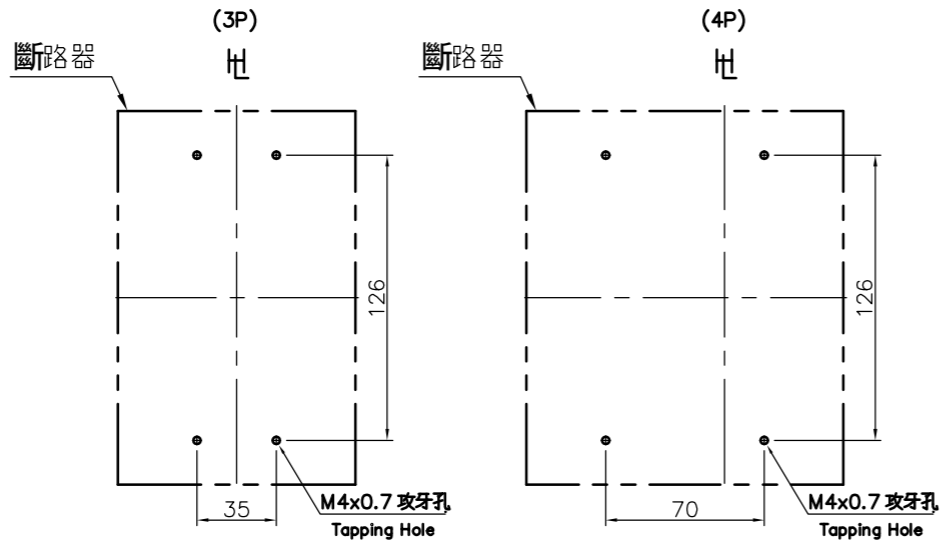
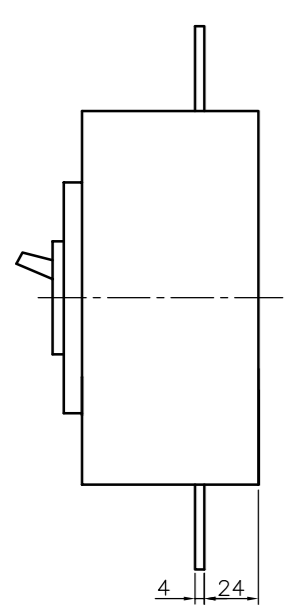
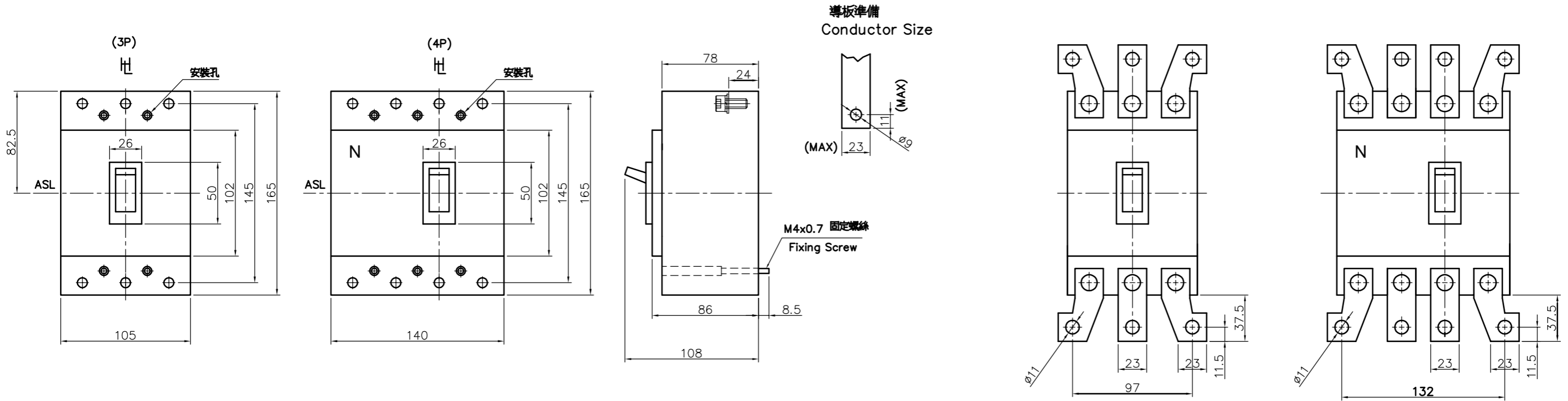
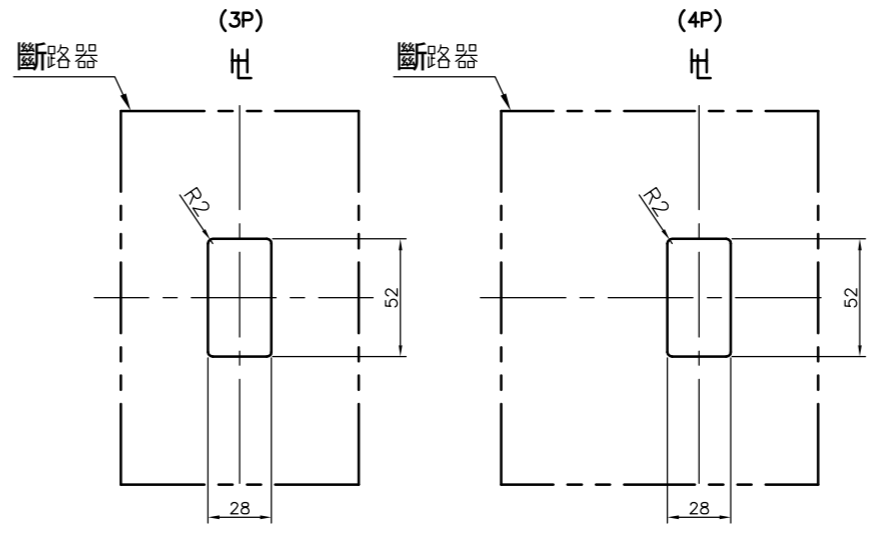


TG-250HB(3P/4P), 250HJ(3P/4P)



固定孔位
Drilling Plan



盤面孔面
Panel Cutout

盤面孔面
Panel Cutout

*斷路器尺寸公差為±0.5mm; 盤面孔位公差為1.5mm.