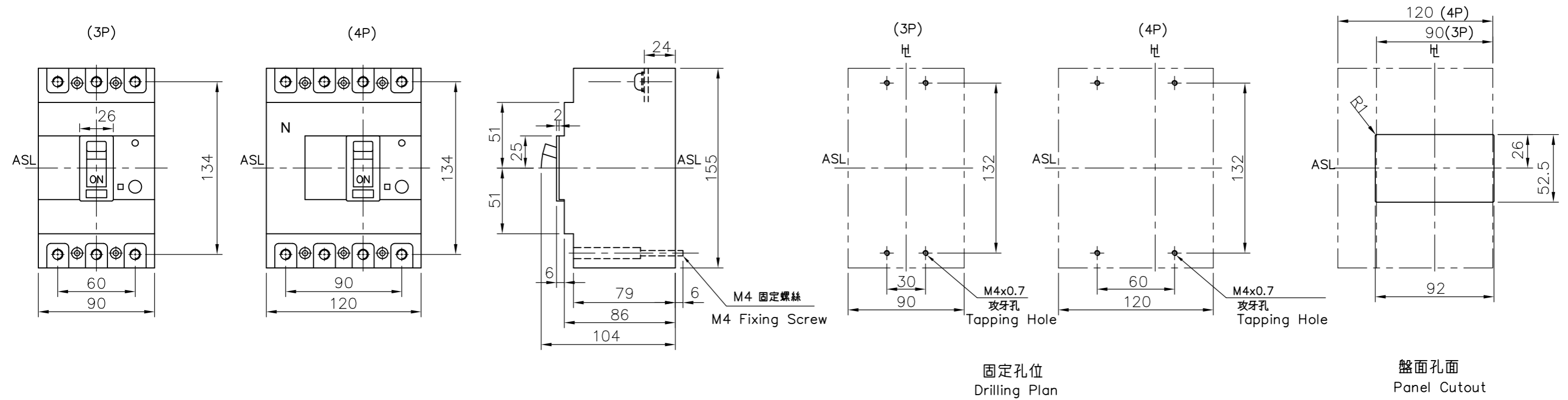


# TLB-125S(3P/4P)外形尺寸圖



\* 斷路器尺寸公差為±0.5mm; 盤面孔位公差為1.5mm.