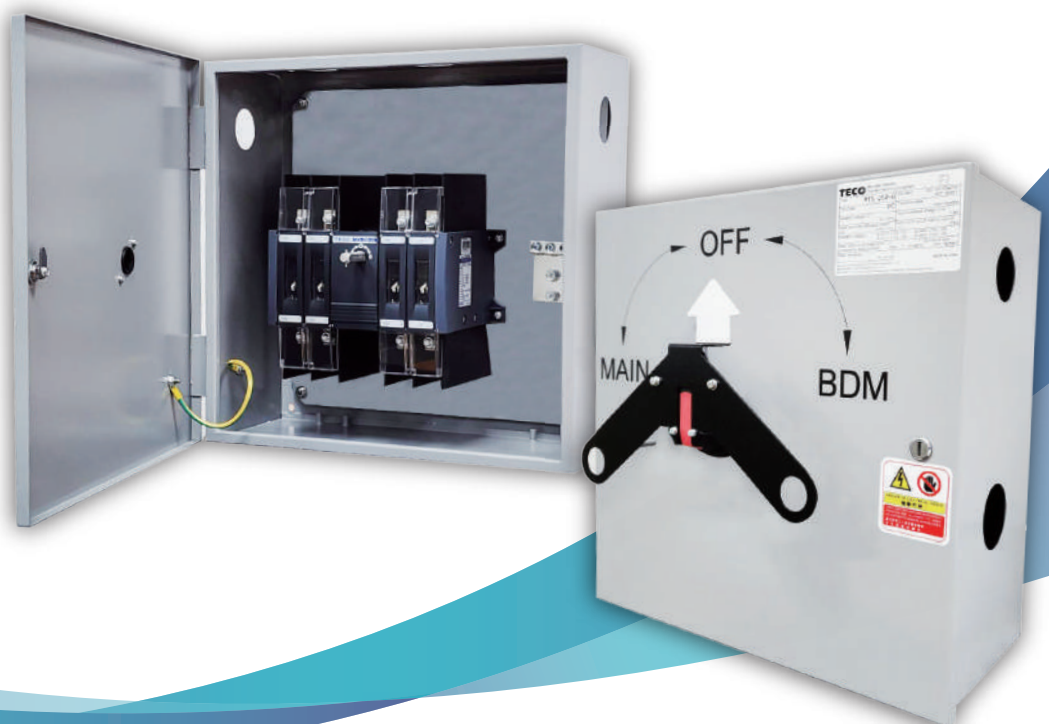


Together,
we empower
the **Future** 

Manual Transfer Switching Device

MTS-250-G / TCS-250-22



Contents

MTS-250-G

01. *Operation*

P1

02. *Dimensions* (Enclosure Lock, Handle Padlock)

P2

TCS-250-22

03. *Operation*

P3

04. *Dimensions* (Operating Handle Diagram, Dimensions)

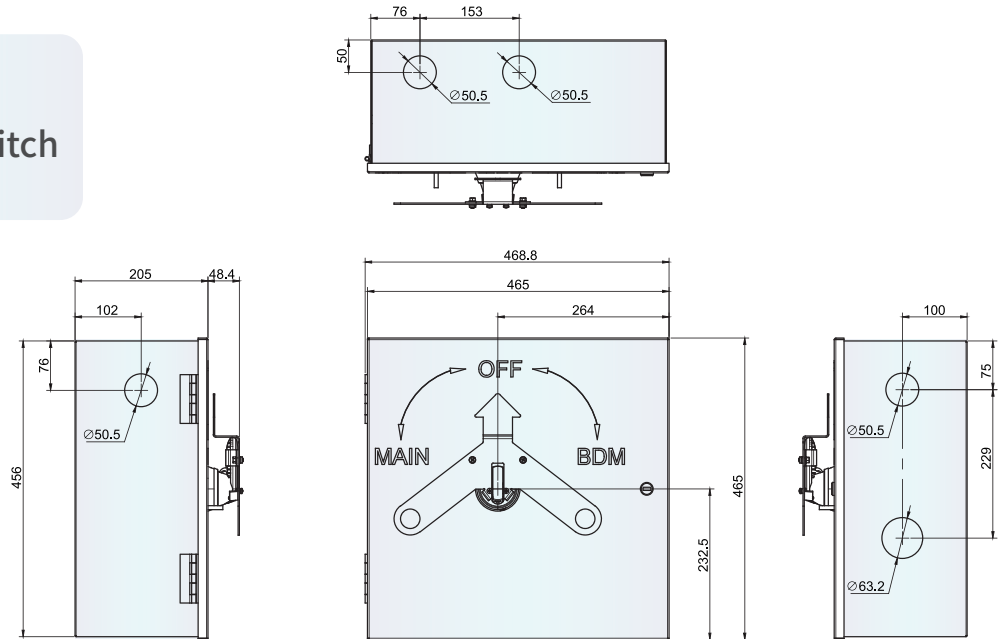
P4

05. *Accessories* (Phase Barrier, Terminal Shroud, Bridging Bar)

P5

MTS-250

Manual Transfer Switch
with enclosure



Switch Positions

- **OFF Position:**

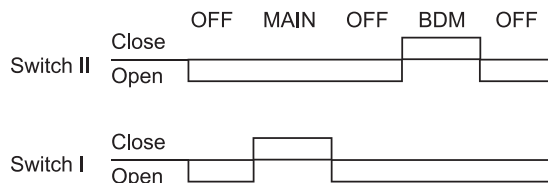
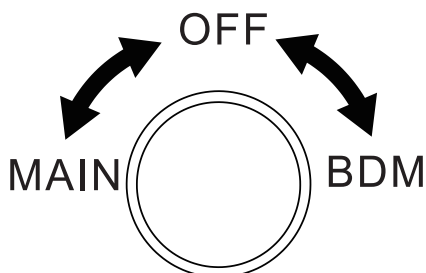
When the enclosure indicator handle is in the OFF position, the internal manual transfer switch is in the OFF position, and both power sources are disconnected. The metal enclosure door can be opened in this state.

- **MAIN Position:**

When the enclosure indicator handle is in the MAIN position, the internal manual transfer switch is in Position I, Power Source I is connected, and Power Source II is disconnected. The enclosure door cannot be opened in this state.

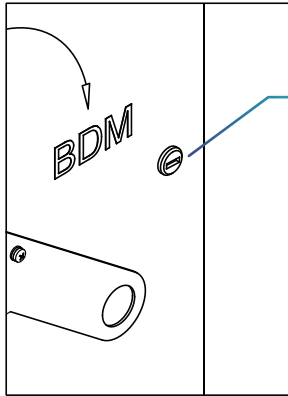
- **BDM Position:**

When the enclosure indicator handle is in the BDM (Backup) position, the internal manual transfer switch is in Position II, Power Source I is disconnected, and Power Source II is connected. The enclosure door cannot be opened in this state.



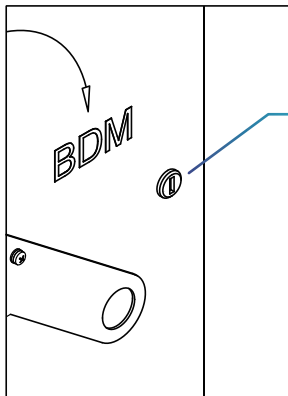
02. *Dimensions*

Enclosure Lock



Horizontal Position:

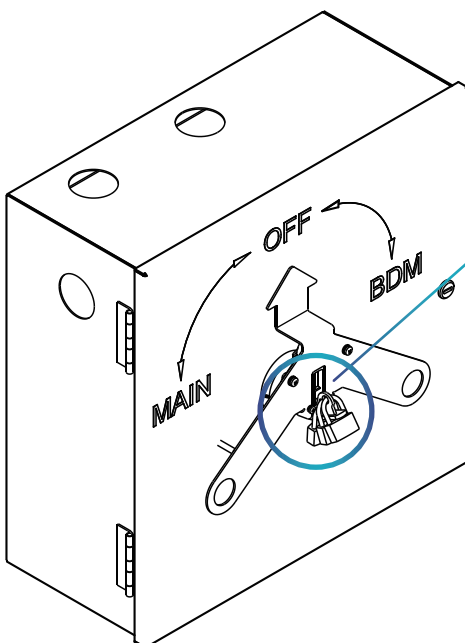
When the enclosure lock's flat slot is in a horizontal position , the enclosure door is in the locked state and cannot be



Vertical Position:

When the enclosure lock's flat slot is in a horizontal position , the enclosure door is in the unlocked state and can be opened.

Handle Padlock



Padlock:

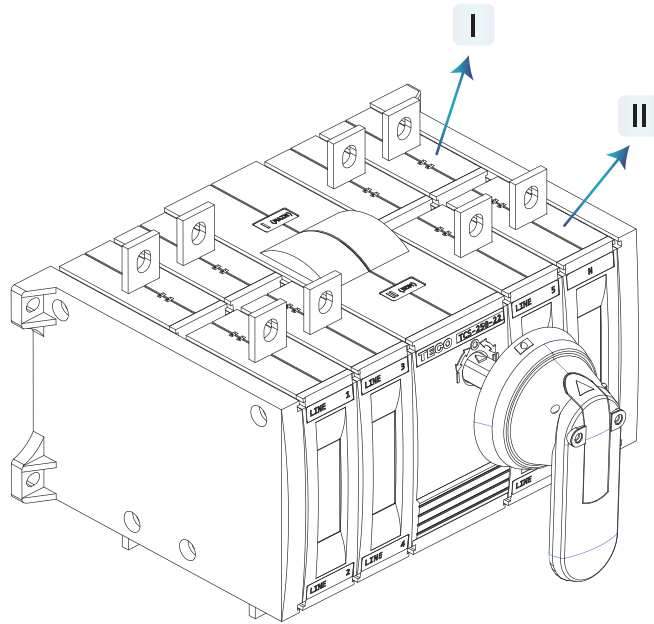
Pressing the red part of the handle allows a maximum of 3 padlocks to be applied simultaneously.

03.

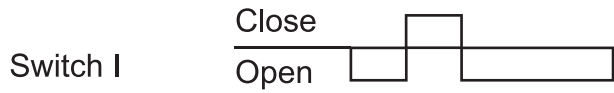
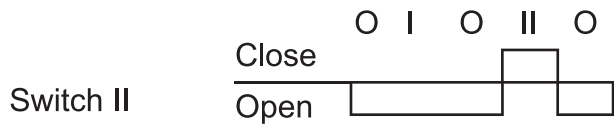
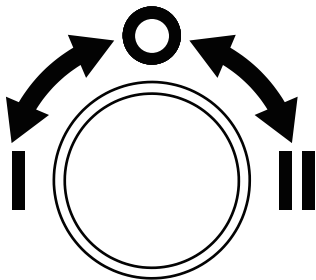
Operation

TCS-250-22

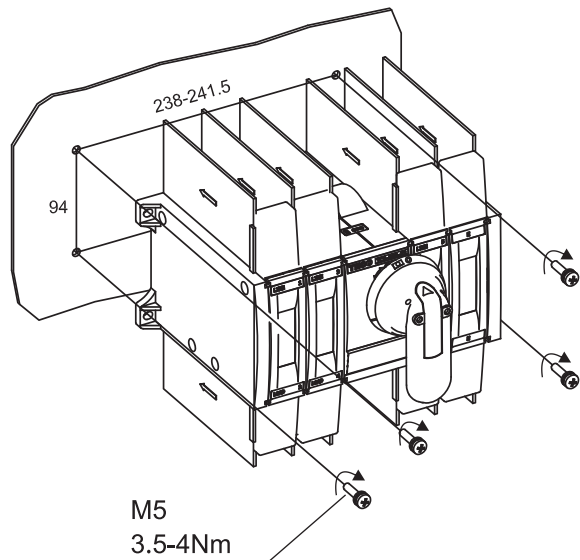
Manual Transfer Switch



Operation

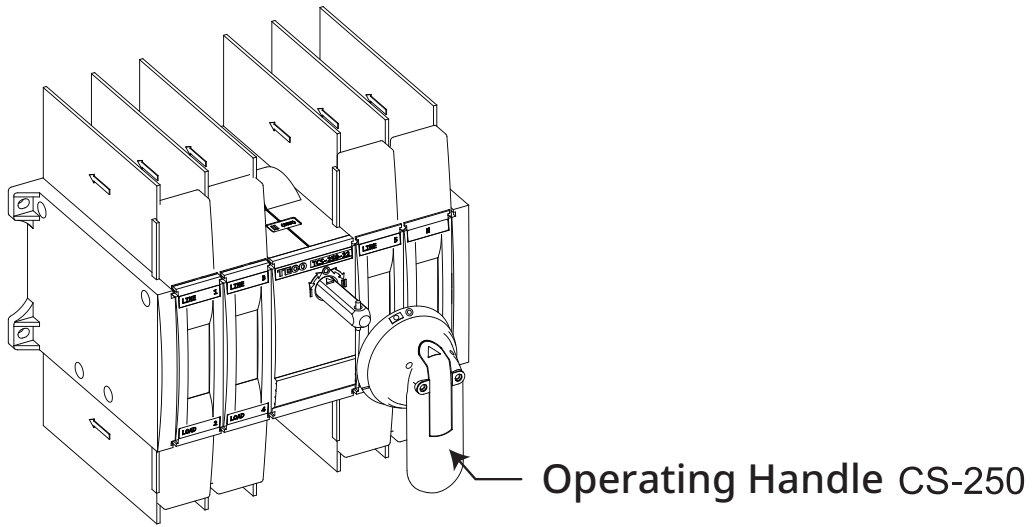


Install

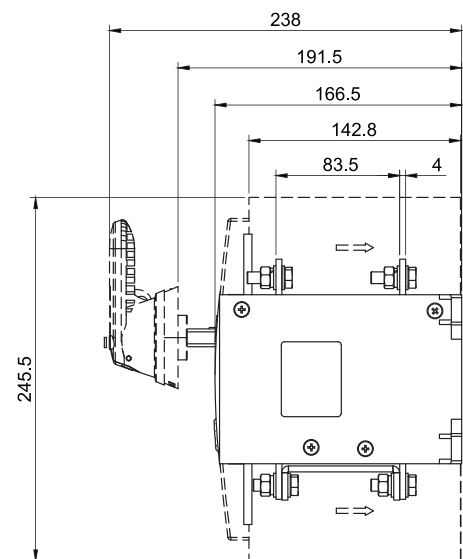
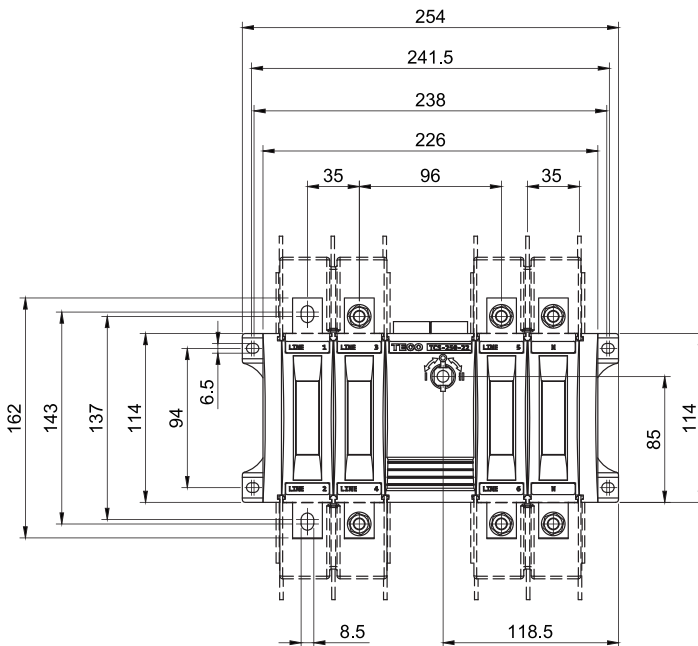


04. *Dimensions*

Operating Handle Diagram

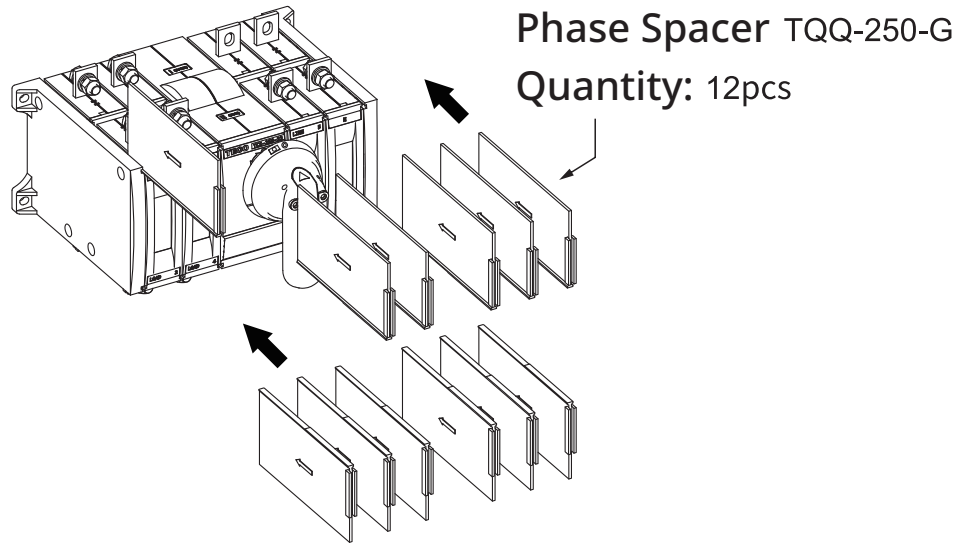


Dimensions

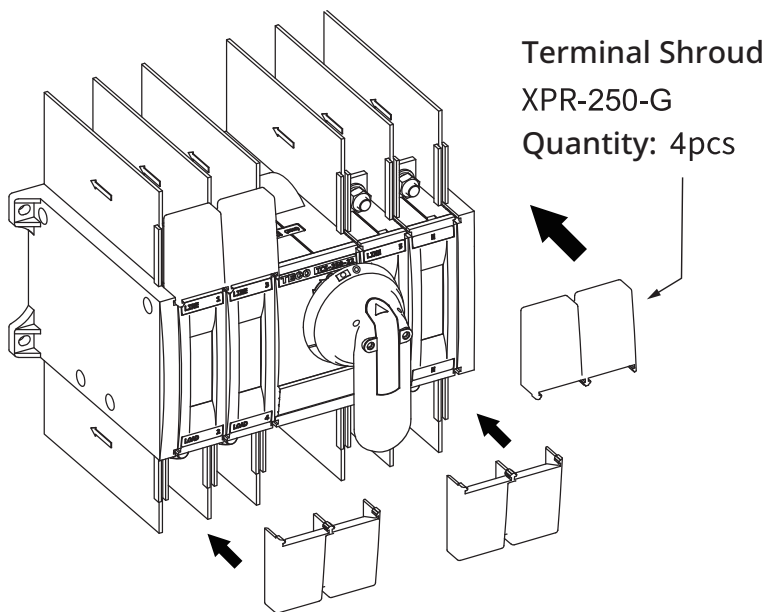


05. Accessories

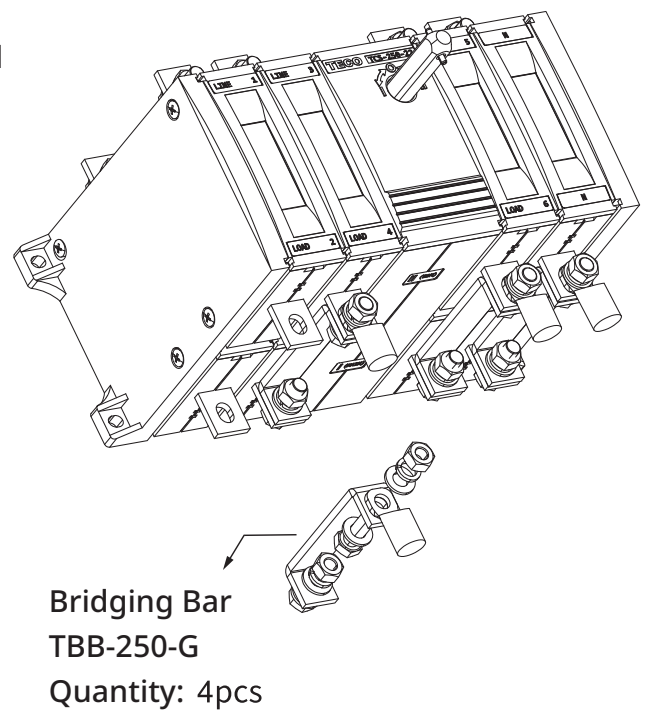
Phase Barrier



Terminal Shroud



Bridging Bar





TECO Electric & Machinery Co., Ltd.

5F, No. 19-9, San Chong Rd., Nan-Gang, Taipei 11501, Taiwan (R.O.C.)
Tel 886-2-26553333 ext 2573